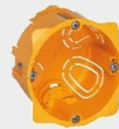


# 1 INSTRUCTIONS AND RECOMMENDATIONS



Switch off the mains before commencing any work

“OneClick” technology with self-stripping contacts.



For single units, use casings 50mm deep, diameter 67 or 68mm

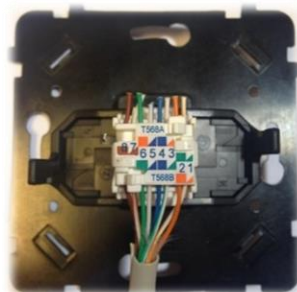
# 2 WIRING



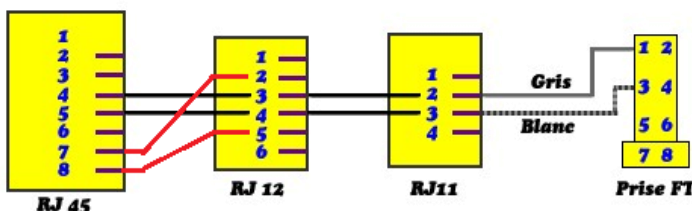
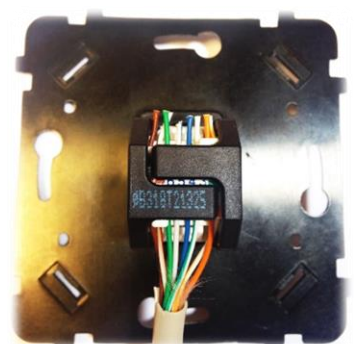
Volition connector – Cat6, FTP 8 contacts 9th for earth continuity.

Open the 2 rear flaps and insert the wires in the following order:

- 8-Brown
- 7-Brown/White
- 6-Green
- 5-Blue/White
- 4-Blue
- 3-Green/White
- 2-Amber
- 1-Amber/White

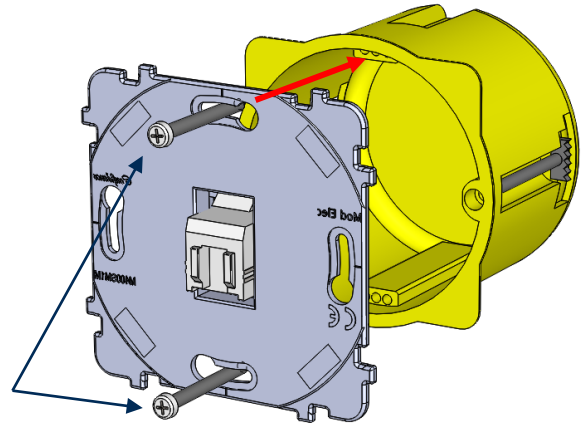


Close the 2 rear flaps; the wires are crimped and locked.



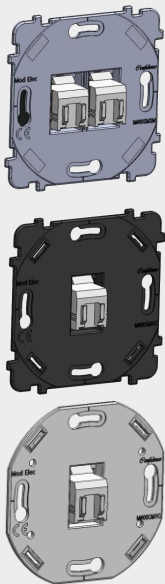
### 3 FITTING

After wiring according to the instructions, place the mechanism in the flush-mount box and screw on the plate according to the diagram opposite.



Screws supplied with the flush-mount box.

### 4 TABLE OF RELEVANT REFERENCES



Reference and description:

087-390G S RJ45 Cat 6  
087-400G S DUAL RJ45 Cat 6

087-390B S RJ45 Cat 6  
087-400B S DUAL RJ45 Cat 6

087-390W S RJ45 Cat 6  
087-400W S DUAL RJ45 Cat 6

Compatible with:

Confidence Collection

Hitera, Désir, Karo Collection

Iris Collection

### 5 CERTIFICATIONS

Complies with international wiring standards ISO/IEC 11801, EN 50173-1 and ANSI/TIA/EIA-568-B-2-1.

- Conforms to IEC 60603-7.

